

IC 175C

INTERMITTENT CARTONING MACHINE



IC175C is the new launch from IMA-PG with higher speeds. Continuous R&D at IMA-PG has led to development of this model. Footprint of this new machine is similar to IC Series of cartonator already serving the market since last 2 decades.

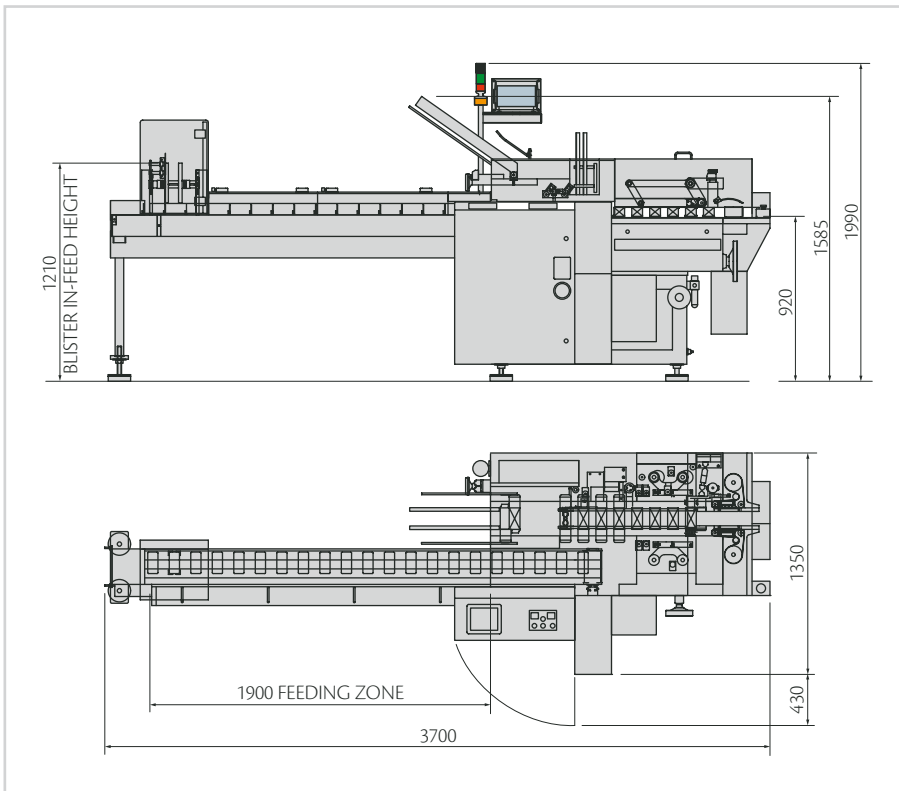
The IC 175C can be used for the cartonning of pharmaceutical, Chemical, cosmetic and food products

The compact design of IC 175C allows easy operator access to all controls and makes it suitable for installation in space restricted areas also. The size parts and relevant settings are easy and permit the operator to quickly and safely perform size change-over.

IC 175C TECHNICAL DATA



November 2012 - IC 175C Rel.01 EN - 991QIC720001



THE NEW IC 175C CAN TAKE VARIOUS TYPES OF FEEDING SYSTEMS BASED UPON THE PRODUCT TO BE HANDLED.

Additional accessories like Pharma Bar Code Reader, Online leaflet folding unit, Leaflet Presence Control, Inkjet Printer etc can be attached as required.

CARTON DIMENSIONS	
Width (A)	Min. 32-85max.
Height (B)	Min. 12-60 max.
Length (C/H)	Min. 60-120 max.
A+B	52-140 max.

* CONDITIONS APPLY Based on the carton width, carton length and product thickness.



Machine weight

1200 Kgs



Output

Up to 150 Cartons/minute

IMA-PG India Private Limited

Corporate Office & Factory: Plot No. R-677, MIDC, T.T.C Indl. Area,

Thane Belapur Road, Rabale, Navi Mumbai 400 701, India

Tel. +91 22 67179000 - Fax +91 22 27600888

sales@imapg.com - www.imapg.com - www.ima.it - www.ima-pharma.com

IMA-PG India Private Limited reserves the right to make any changes to the described machine characteristics. Pictures shown on the catalogue is for illustration purpose.