

# FTO513

OVERWRAPPING MACHINE



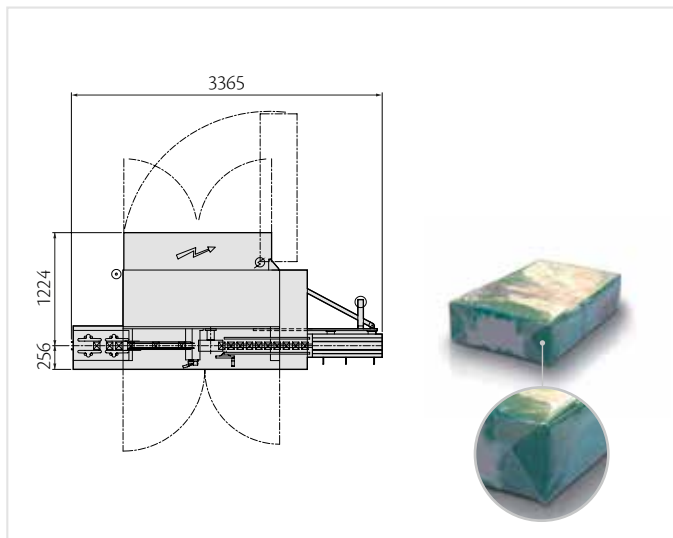
High-speed (up to 330/min.) overwrapping machine with continuous carton feeding system which prevents products pushing against each other both at the start and at the end of the line. Thanks to advanced technical solutions, such as the inline tear-tape unit, the double reel holder, the automatic film splicing, it ensures top quality appearance of packages. The **FTO513 Fin Seal** model allows for an air tight sealing, ideal for products that are sensitive to humidity or to extend their shelflife.

- MORE TAMPER EVIDENCE
- EXTENDED SHELF LIFE
- HIGHER MOISTURE PROTECTION

# TECHNICAL DATA



## FT0513 STANDARD

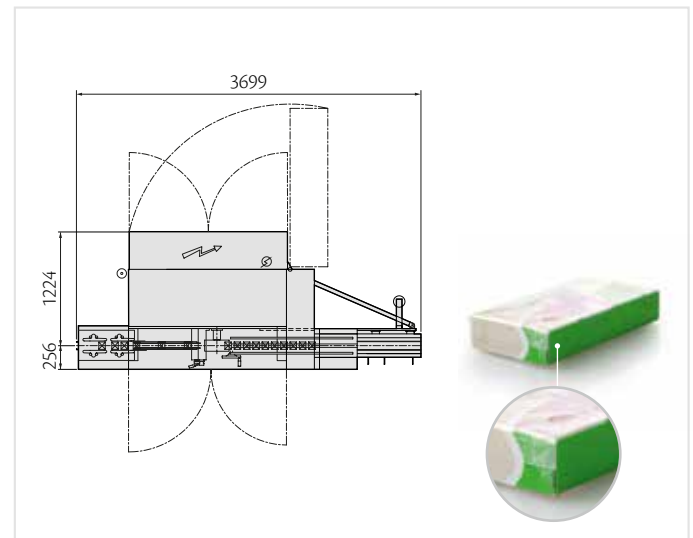


		MIN.	MAX.
Product range (mm)	A	30	75
	B	6	30
	C	55	100
Production standard version		Up to 330 ppm	
Fin seal		Up to 330 ppm	
Installed power		12 kW	
Operating pressure		6 bar	
Maximum air consumption		100 NI/min	
Weight		2100 Kg	

Machine available on extended "width" version C = 55 mm - 150 mm  
 Machine available on extended "length" version A = 30 mm - 115 mm  
 Machine available on extended "height" version B = 6 mm - 38 mm

Sizes out of range can be handled after been evaluated from technical office.

## FT0513 FIN SEAL



### Film type

- All heat sealable films, such as PP, PVC, Cellophane max. Reel diameter: 300 mm
- Min. Reel core diameter: 76.2 mm
- Max. web width: 150 mm

### Configurations

- Single
- Multiple side by side
- Double overlapped



## GIMA S.p.A.

Via Kennedy, 17 - 40069 Zola Predosa (Bologna) - Italy  
 Phone +39 051 6169 711 - Fax +39 051 7523 78  
 info@gima.com - www.ima.it