

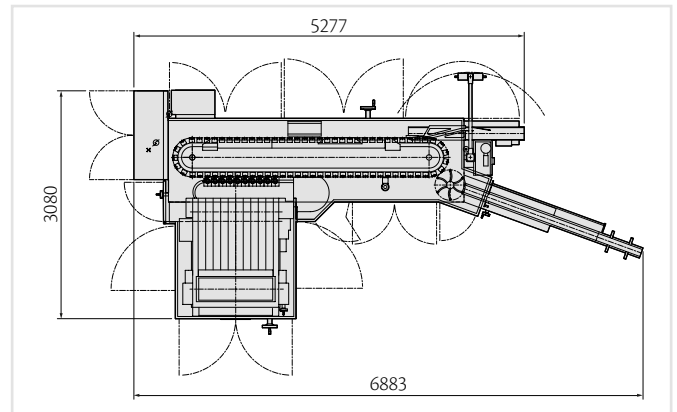
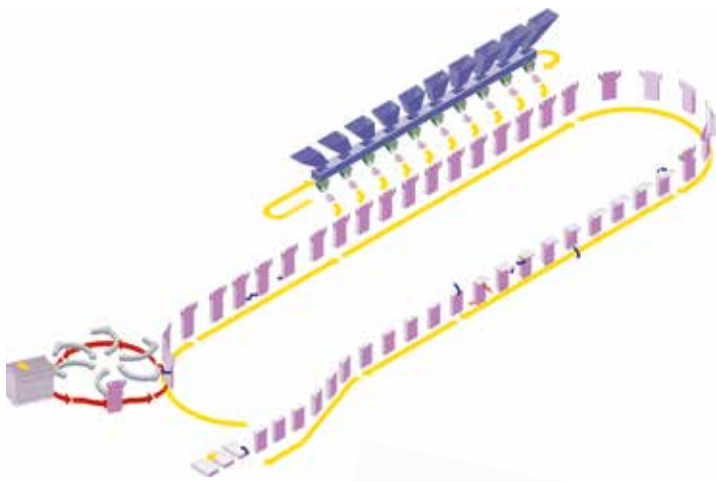
FTC517 CARTONING

CARTONING MACHINE



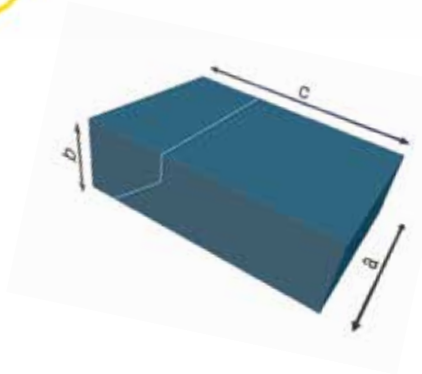
Continuous high-speed vertical cartoner, managing **up to 500 ppm**. Versatile and flexible, it can handle different packaging types (various shapes of carton packs, plastic bottles, metal containers, etc.) as well as a number of solutions for product counting (candies, chewing gum, etc.) FTC517 is equipped with gluing control system, data coding with Ink Jet or Laser technology, rejecting systems, optional units for inserting blisters plus leaflets, small bags or miscellaneous items inside the cartons.

FTC517 CARTONING



Product feeding

- 10 channels slat counter
- Volumetric dosing unit
- Multihead weigher



Carton boxes styles

All main closure styles can be managed on the machine, including flip top, shaker box, tamper evident, side opening, etc.

Other containers

Plastic and metal boxes in various shapes and sizes.

Products

Suitable to manage hard candies, gum pellets, tablets, powders, jellies, liquorice, nuts, etc.

FTC517 TECHNICAL DATA

		MIN.	MAX.
Product range	a	30	70
	b	11	30
	c	55	100
Production	up to 500 ppm		
Installed power	11 kW		
Operating pressure	6 bar		
Maximum air consumption	300 NI/min		
Weight	2200 kg		

Sizes out of range can be handled after been evaluated from technical office.



GIMA S.P.A.

Via Kennedy, 17 - 40069 Zola Predosa (Bologna) - Italy
 Phone +39 051 6169 711 - Fax +39 051 7523 78
 info@gima.com - www.ima.it