

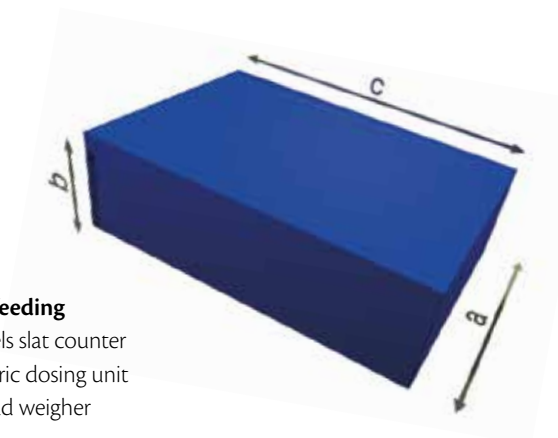
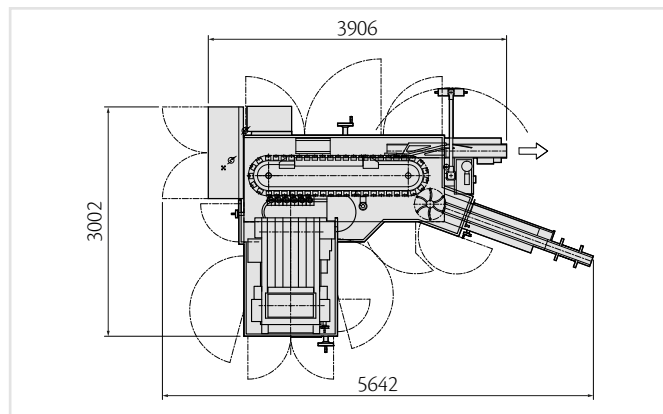
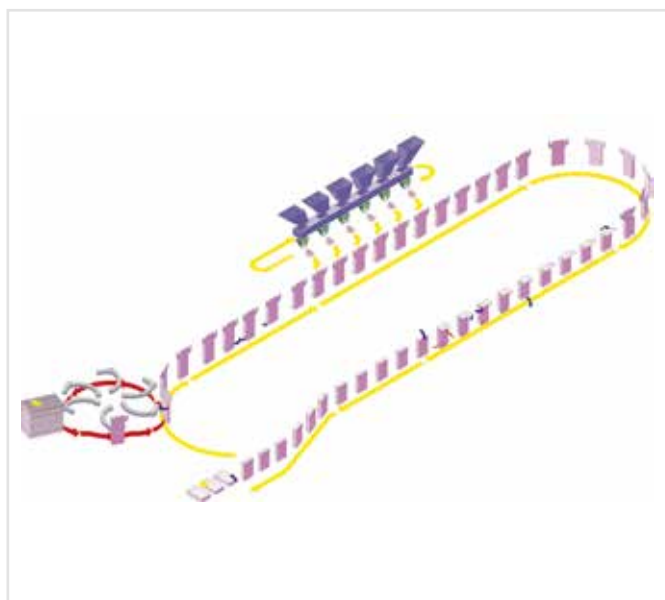
# FTC509 CARTONING

CARTONING MACHINE



Continuous high-speed vertical cartoner, managing up to 300 ppm. **Versatile and flexible**, it can handle different packaging types (various shapes of carton packs, plastic bottles, metal containers, etc.) as well as a number of solutions for product counting (candies, chewing gum, etc.) FTC509 is equipped with gluing control system, data coding with Ink Jet or Laser technology, rejecting systems, optional units for inserting blisters plus leaflets, small bags or miscellaneous items inside the cartons.

# FTC509 CARTONING



## FTC509 TECHNICAL DATA

		MIN.	MAX.
Product range	a	30	70
	b	11	30
	c	55	100
Production	up to 300 ppm		
Installed power	11 kW		
Operating pressure	6 bar		
Maximum air consumption	300 NI/min		
Weight	2100 kg		

Sizes out of range can be handled after been evaluated from technical office.

### Product feeding

- 6 channels slat counter
- Volumetric dosing unit
- Multihead weigher

### Carton boxes styles

All main closure styles can be managed on the machine, including flip top, shaker box, tamper evident, side opening, etc.

### Other containers

Plastic and metal boxes in various shapes and sizes.

### Products

Suitable to manage hard candies, gum pellets, tablets, powders, jellies, liquorice, nuts, etc.

## GIMA S.p.A.

Via Kennedy, 17 - 40069 Zola Predosa (Bologna) - Italy

Phone +39 051 6169 711 - Fax +39 051 7523 78

info@gima.com - www.ima.it