

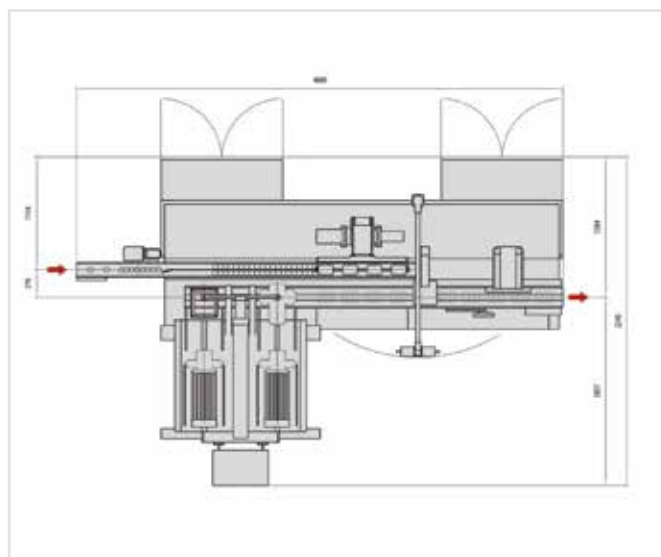
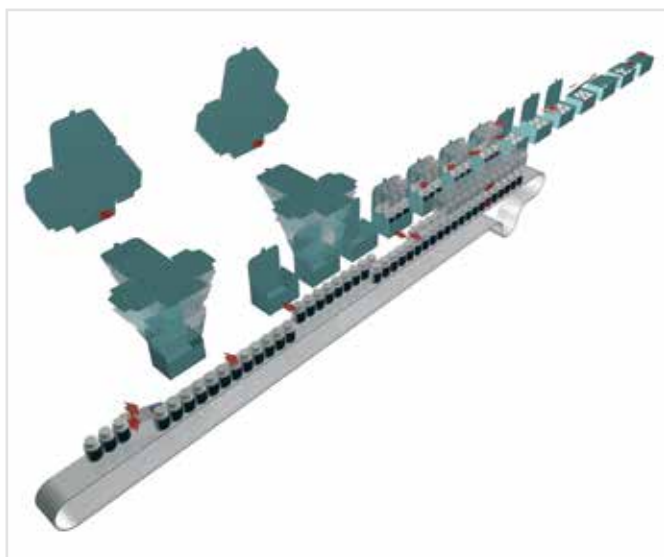
FTB577 TRAY PACKING

TOP LOADING TRAY PACKER WITH ROBOTIZED PRODUCT FEEDER



Top Loading high-speed forming and filling display box machine with double carton magazine designed to increase blanks capacity. It is equipped with a double forming head **with positive display management**, robotized display loading, products infeed either on continuous conveyor belt or with a racetrack.

FTB577 TRAY PACKING



FTB549 TECHNICAL DATA

		MIN.	MAX.
Product range	L	100	220
	W	100	220
	H	35	120
Production		over 80 ppm	
Average power consumption		10 kW	
Operating pressure		6 bar	
Maximum air consumption		160 Nl/min	
Weight		3500 kg	

Sizes out of range can be handled after been evaluated from technical office.

Closure Configurations

- Tuck in
- Glued flaps

GIMA S.p.A.

Via Kennedy, 17 - 40069 Zola Predosa (Bologna) - Italy
 Phone +39 051 6169 711 - Fax +39 051 7523 78
 info@gima.com - www.ima.it