

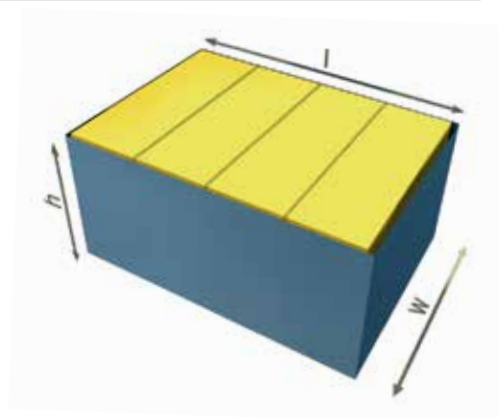
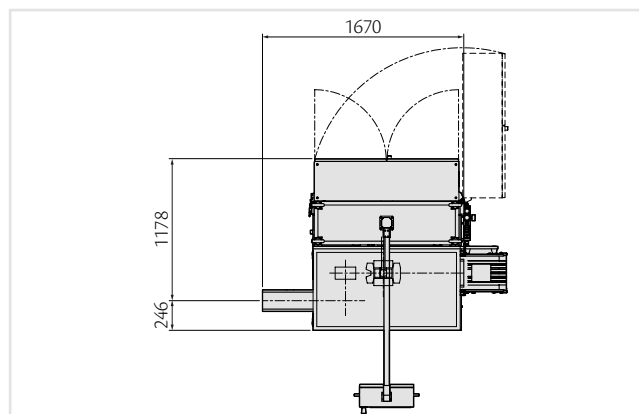
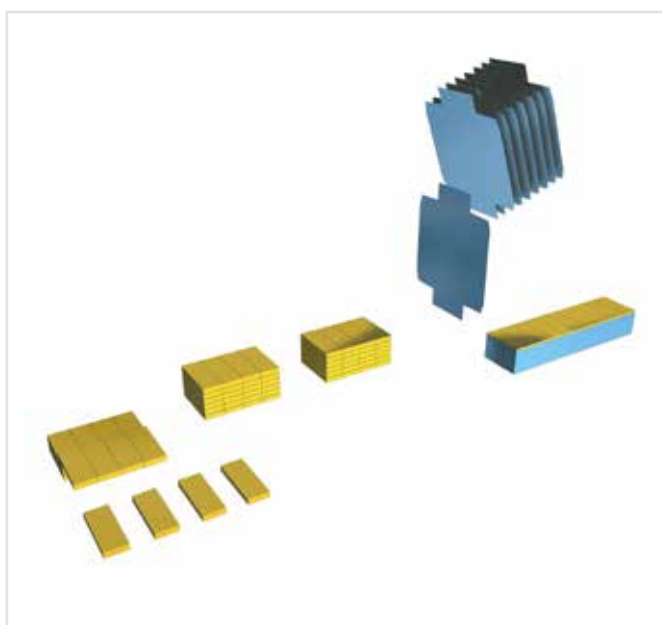
FTB569 TRAY PACKING

COMPACT DISPLAY PACKING MACHINE



Wrap around forming and filling display box machine.
It ensures total content wrap around with zero tolerance.
The reduced dimensions are ideal for saving space on the footprint.
The machine is equipped with both a laying and a standing carton
infeed grouping system.
A wide range of products can be handled, even having very small
dimensions.

FTB569 TRAY PACKING



FTB569 TECHNICAL DATA

		MIN.	MAX.
Product range	l	50	220
	w	50	200
	h	8	80
Production	up to 60 ppm		
Installed power	11 kW		
Operating pressure	6 bar		
Maximum air consumption	350 NI/min		
Weight	1500 kg		

Sizes out of range can be handled after been evaluated from technical office.

Products

- Carton boxes
- Carton sleeves
- Gum sticks
- Candy sticks
- Soup cubes etc.

Configurations

- Flat products
- Standing products
- Sticks grouping device
- Soup cubes grouping device
- Lid closure

GIMA S.p.A.

Via Kennedy, 17 - 40069 Zola Predosa (Bologna) - Italy

Phone +39 051 6169 711 - Fax +39 051 7523 78

info@gima.com - www.ima.it