

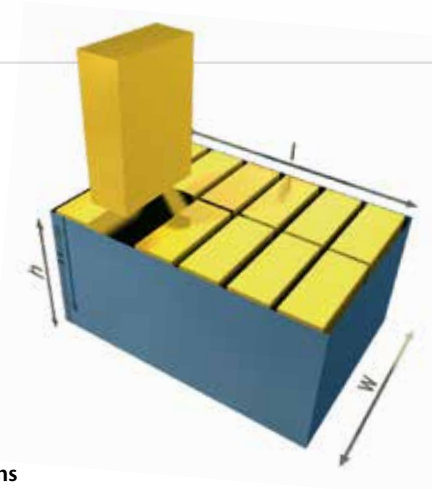
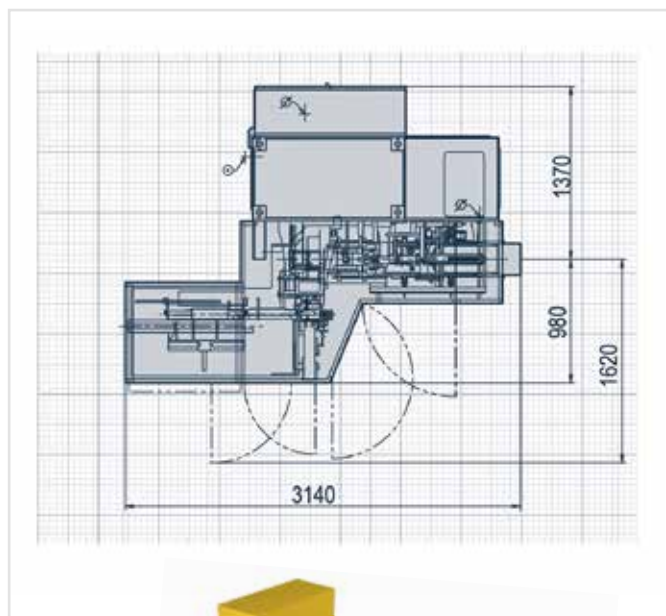
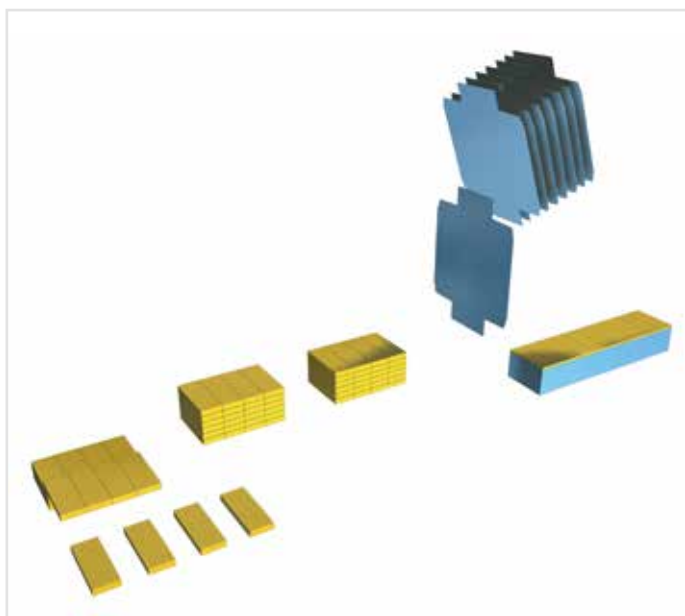
FTB512/FTB514 TRAY PACKING

WRAP-AROUND TRAY PACKER



Forming and filling display box machine based on the **wrap around** technology. FTB514 is equipped with both a laying and a standing carton infeed grouping system. It ensures total content wrap around with zero tolerance.

FTB512/FTB514 TRAY PACKING



FTB512-514

TECHNICAL DATA

		FTB512		FTB514	
		MIN.	MAX.	MIN.	MAX.
Product range	l	100	220	100	220
	w	50	200	50	200
	h	30	100	30	60
Production		over 35 trays/min		over 55 trays/min	
Installed power		10,00 kW			
Operating pressure		6 bar			
Maximum air consumption		80 NI/min			
Weight		2800 kg			

Sizes out of range can be handled after been evaluated from technical office.

Configurations

- Standing and flat boxes grouping device
- Sticks grouping device
- Glued or tuck-in lid closure

GIMA S.p.A.

Via Kennedy, 17 - 40069 Zola Predosa (Bologna) - Italy

Phone +39 051 6169 711 - Fax +39 051 7523 78

info@gima.com - www.ima.it