

CD150 / CD180

AUTOMATIC TUBEFILLER



CD150 / CD180 AUTOMATIC TUBEFILLER

A ROBUST TUBEFILLER, BASED UPON
TURNABLE STRUCTURE, MANUFACTURED
TO CARRY OUT DEMANDING
PRODUCTION.

Suitable to fulfill different expectations - from large volume bulk production to reduced batches - and marked by efficiency, it represents a clear example of "Value for money".

Available from basic to individually tailored configurations (including fully robotized tube feeder) it is capable to adapt itself to varied production environments. Coming from outstanding experience, gained in the field, it really will be "meeting all needs".





HI-SPEED TUBEFILLER
FOR PHARMACEUTICAL, COSMETIC,
CHEMICAL AND FOODSTUFF PRODUCTS.



An effective twin nozzle tubefiller based on sturdy mechanical structure.

The CD150 /CD180 range is designed to handle a very wide range of products in many different applications. Based on appreciated "classic" turntable layout, and boasting hundreds references worldwide, it is the ultimate mix of productivity combined to ease of use, where any details and solutions come from an enviable experience.

Depending on automation level, it can be provided with different tube loading solutions – from the compact one integrated within footprint, up to the advanced robotized system.

CD150 / CD180 AUTOMATIC TUBEFILLER

THE OUTPUT

- **CD150:** up to 150 metal, polythene, laminate and polyfoil tubes/minute.
- **CD180:** up to 180 metal, polythene, laminate and polyfoil tubes/minute.

DOSING SYSTEM

Adjustable stroke **twin diving nozzle**, servo-controlled by brushless motor, with positive shut-off valve and nozzle cleaning by air blow.

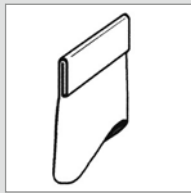


DESCRIPTION

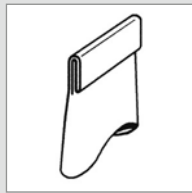
- Machine base frame, safety guards frame and electrical cabinet made of **stainless steel**.
- **15-position** turntable with indexing drive by Ferguson style intermitter.
- **Direct drive** of main shaft without chains, by directly connected gearmotor.
- **Centralized lubrication** system.
- **Safety devices** for tube feeding, filling, closing and ejection, as well as for machine overloads.
- Simplified and easy change of size parts, **without tools**.
- **Easy access** from all the four machine sides for maintenance and cleaning
- **Automatic positioning** of closing/sealing head in relation to tube length (patented).
- **Electrical cabinet** integrated within machine footprint, hinged and completely insulated from mechanical drive.
- Machine function control and management by **PLC**.

FOLDS

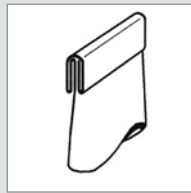
Closing folds for metal tubes



Normal



Double



Saddle

SEALS

Some seal shapes for polythene or laminate tubes obtainable by hot jaws or hot air technologies



A Standard



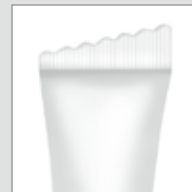
B



D*



E*



G*

*Patented

- Programmable “**touch screen**” **colour panel** (HMI), acting as an intuitive interface with PLC for machine functions management.
Suitable to perform the adjustment of working parameters like:
 - machine speed
 - machine phasesand capable to memorize set values according to jar sizes.
- Also showing:
 - machine alarms
 - troubleshooting of faults
 - timers and counters.
- **Tube loading** by:
 - integrated cassette feeder (twin hopper)
 - independent ergonomic feeder
 - fully robotized feeder CR1They are all positioned outside machine working area as per GMP norms.
- **Conical tubes** feeding.
- **Tube cleaning** by adjustable airflow and dust aspiration device by vacuum.
- Automatic **print registration** by step-motor, available in both above and bottom drive executions.

- **Bar-code** reading device (pharmacode).
- **Nitrogen** flushing before and after filling.
- Easy-to-disassemble product **dosing pump**.
- All **parts in contact** with product made in stainless steel AISI 316, 280 grains polished.
- Dosing **accuracy** $\pm 0,5\%$.
- Adjustment of **filling volume** from inside or outside machine base or automatic from operator panel (HMI) with possibility to get «feed-back» function from checkweigher (checkweigher not included).
- **Heated hopper** with forced water circulation in closed circuit.
- Stainless steel product scraper **stirrer** with drive from inside machine base.
- Adjustment of **air blow** for nozzle cleaning from control panel.
- Additional dosing unit for **sodium bisulphite** anti-oxidant drop dispensing.
- Hopper for **product feeding by pressure**.
- **Double swivelling support** for quick change of parts in contact with product.
- **Metal tube closing** unit for normal, double and saddle fold.

- Thermosealing of different polythene (PE), laminate (ABL-PBL) and polyfoil tubes with following technologies:
 - **hot air, hot jaws, high frequency**.
- Possibility to obtain customized «**designer seals**».
- **Quick change** of closing/sealing systems by easy replacement of just a small portion of closing head (to pass from aluminium to polythene and laminate tubes, and vice versa).
- **IQ-OQ** - Validation documentation.

SPECIAL EXECUTIONS

- Handling of tubes with different body shapes such as **unidoses, cannulas** and **vet syringes**.
- Configuration suitable for **sterile areas** with laminar flow unit.
- **Laser engraving** unit, with possible vision system to control the correct marking.
- **Explosion-proof** execution according to **Atex** standards.

SALES AND SERVICES

IMA UNDERSTANDS
THE NEED FOR
EXCELLENT SERVICE
AROUND THE WORLD



SPARE PARTS

The use of original spare parts is essential to guaranteeing perfect machine working order and providing full production efficiency.

Spare parts can be ordered from IMA directly or via the MyIMA e-commerce system and shipped to you within 24-36 hours.

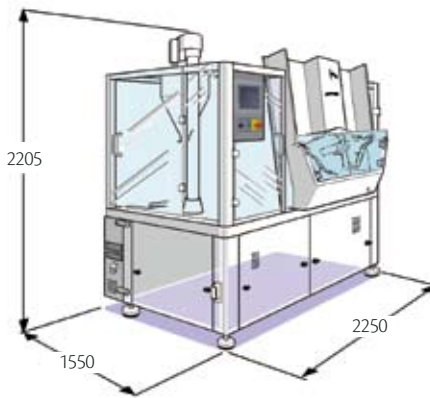
- PRESENT IN OVER 70 COUNTRIES
- 10 BRANCHES PROVIDING SALES AND SERVICE
- MORE THAN 50 REPRESENTING AGENCIES
- 90 TECHNICIANS FROM ITALY SUPPLYING WORLDWIDE SERVICE
- 50 TECHNICIANS FROM LOCAL SUBSIDIARIES AND AGENCIES
- 11 AFTER SALES SUPERVISORS

IMA SAFE provides prompt and effective **technical assistance** which covers the entire life cycle of its equipment. This assistance is provided by a dedicated team of experts able to meet our client's needs on a day to day basis. A customer oriented after sales service staff is what distinguishes IMA from the other manufacturers.

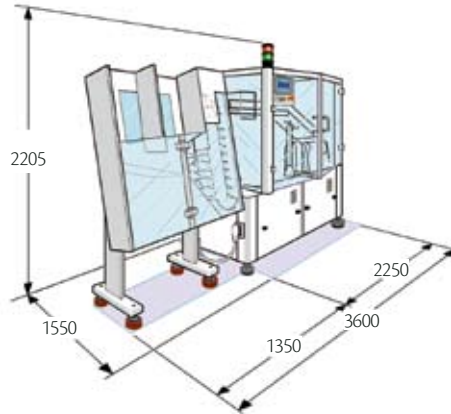


CD150 / CD180 TECHNICAL DATA

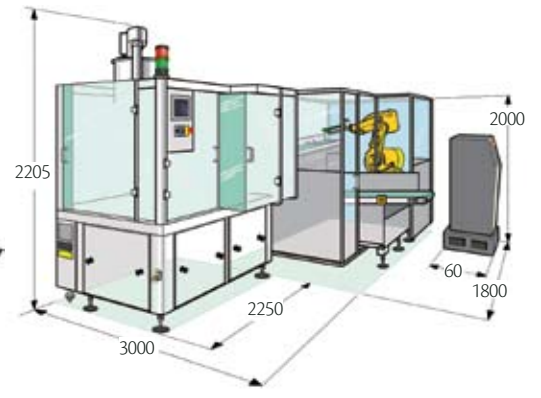
WITH AUTOMATIC TUBE FEEDER



WITH INDEPENDENT ERGONOMIC TUBE FEEDER



WITH FULLY ROBOTIZED TUBE FEEDER CR1



Maximum speed	150/min (CD150) 180/min (CD180)
Filling volume (ml)	2-250 (on request up to 500)
Tube diameter (mm)	10-50
Tube length (mm)	60-250

POWER CONSUMPTION

Main motor (kW)	3.7
Diving nozzle (kW)	1.9
Head positioning (kW)	0.4
Ergonomic feeder (kW)	0.6
Tube conveyor belt (kW)	0.5
Scraper stirrer (kW)	0.3
Heated hopper (kW)	1.5
Print registration (kW)	0.5
Vacuum cleaning (kW)	1.1
Hot jaws (kW)	4.0
Hot air (kW)	6.0
High frequency (kW)	5.0
Compressed air (NL/min)	6 bar - 160 ÷ 240
Cooling water (lt/min)	7
Noise level (dB A)	79

EXPORT PACKING

Approx. dimensions (cm)	380 x 230 x h240
Approx. weight (kg)	1.800

www.ima-pharma.com

CO.MA.DI.S. S.p.A.

Via Piemonte 32/34/36 - 20030 Senago (Milano) - Italy

Tel +39 02 99010284 - Fax +39 02 99010803

sales@comadis.ima.it - www.ima.it